

Renfell Engineering Pty Ltd

1 Port USB Host

mangOH™ Internet of Things module



Introduction

The Renfell Engineering Single Port USB Host IoT card enables the user to add an additional Type ‘A’ USB host port to either a mangOH™ or FX30 platform. The port provides USB over current limiting to 500mA and Hot-Plug protection via integrated ESD diodes.

Additionally, power control over the USB host port is provided by using the IoT connector nRESET line.

Note that this card only adds a USB Hardware interface – it is the users’ responsibility to add any drivers or modules to the Linux™ distribution running on the mangOH™ or FX30 platform

Table of contents

Introduction	1
Board Overview.....	2
Block Diagram.....	2
Connection Details.....	2

Important Notice

The system(s) designed and implemented by Renfell Engineering Pty Ltd are not intended or authorised for use in any medical appliance, device, systems or any other like situations or applications where a failure to perform may result in injury or loss of life to the user or any third party.

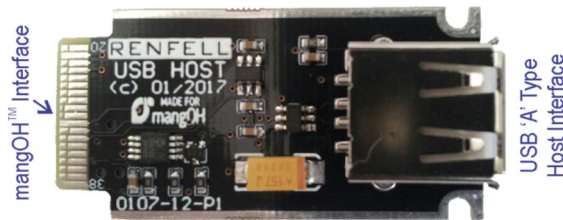
This product and its documentation are supplied on an as-is basis and no warranty as to their suitability for any particular purpose is either made or implied.

This document provides preliminary information that may be subject to change without notice.

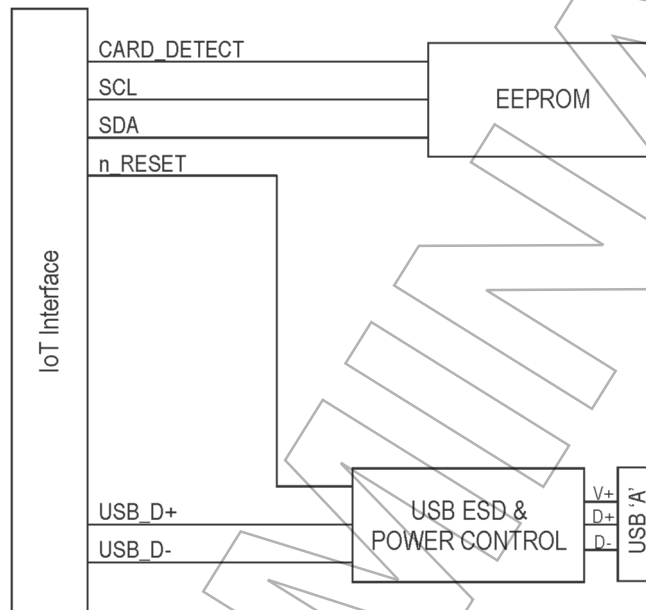
Renfell Engineering Pty Ltd assumes no liability whatsoever, and Renfell Engineering Pty Ltd disclaims any express or implied warranty relating to the sale and/or use of systems including liability or warranties relating to fitness for a particular purpose, merchantability, or infringement of any patent, copyright or other intellectual property right.

mangOH™, Legato™ and the mangOH™ symbol are Registered Trademarks® of Sierra Wireless, Inc and are used with permission. All other product and company names are trademarks™ or registered® trademarks of their respective holders. Use of them does not imply any affiliation with or endorsement by the respective trademark owners

Board Overview



Block Diagram



Connection Details

Connection to the IoT card is via a standard USB 'A' Type connector

WARNING: This is NOT an isolated USB interface.
The USB Ground connection is common to the Ground connection on the mangOH™ or FX30 platform.

ATTENTION: The nRESET signal MUST be asserted (i.e. not set) in software to enable USB power (V_{BUS}) on the 'A' type host connector.